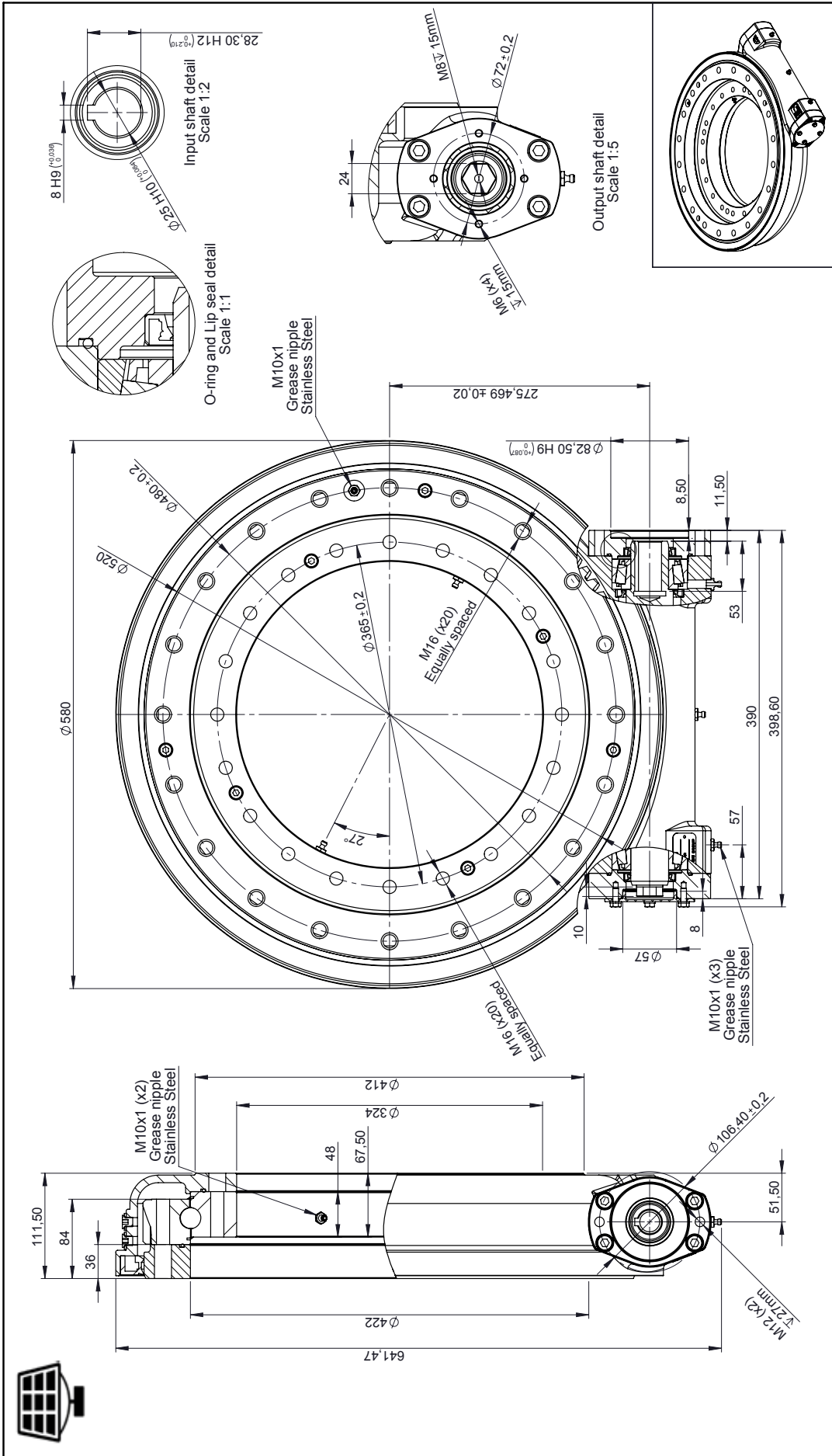


TE SERIES

METRIC



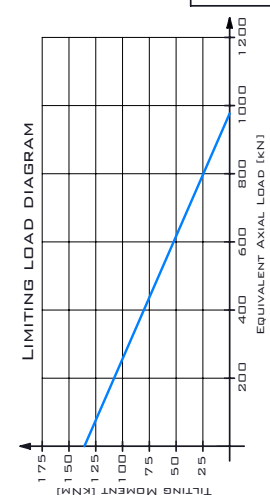
TGB GROUP
INTEGRATED TECHNOLOGIES
www.tabanour.es

TGB

Reference	TE523-Z0-RM		
Denomination	Sales Drawing		
MATERIAL	-	WEIGHT [kg]	94.52
SCALE	-	SIZE	-
Rev	B	NUM. PIECES	1
		SHEET	1 of 1

SHAFT: Ø25MM KEYS SHAFT
FLANGE: SAE - 2 BOLT FLANGE

The information contained in this document is the property of TGB Group. It is not allowed to be reproduced or used in any way without the written consent of TGB Group. TGB Group reserves the right to change the design of the product without previous notice and without any obligation.



MAIN PERFORMANCE PARAMETERS	
GEAR RATIO	1.02:1
HOLDING TORQUE	65.1 kNm
EFFICIENCY	40%
TILTING MOMENT	135.6 kNm
SELF-LOCKING GEAR	YES
RADIAL STATIC LOAD	39.1 kN
AXIAL STATIC LOAD	97.7 kN
BACKLASH CLEARANCE	< 0.15°
RADIAL DYNAMIC LOAD	20.5 kN
AXIAL DYNAMIC LOAD	23.5 kN
NOMINAL TORQUE	18.034 Nm
MAXIMUM TORQUE	15.096 Nm

NOTES: ALL DIMENSIONS ARE PRE-LUBRICATED. MAXIMUM OUTPUT SPEED 1800 RPM. ALL BEARINGS ARE PRE-LUBRICATED.